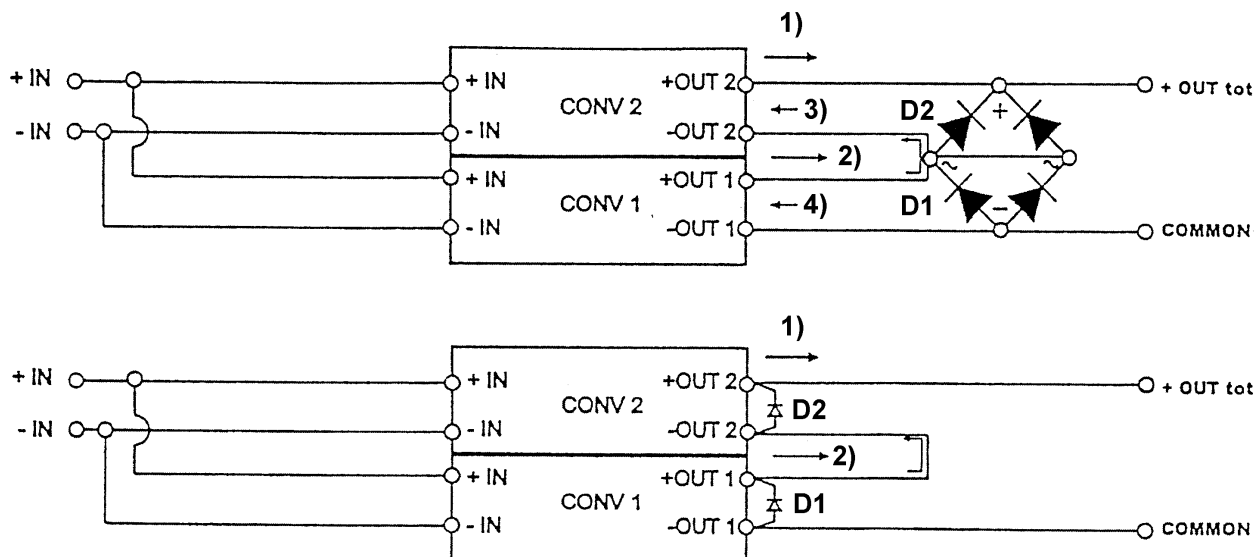




SERIAL CONNECTION OF OUTPUTS ON ETA DC/DC CONVERTERS



Legend:

- 1) $I_2 = I_1$
- 2) $I_1 = I_2$
- 3) I_2
- 4) I_1

D1: Protection diode 1
D2: Protection diode 2

Remarks about series connection

$U_{out\ tot} = U_{out\ 1} + U_{out\ 2}$

Please be aware that the current drawn from $V_{OUT\ tot}$, should not exceed the individual rated value of the converters.

Protection diode:

It is used to protect the outputs of the DC/DC converters from reverse voltages in case of a load short circuit.

You may use a low cost bridge rectifier, adapted to clamp voltage and maximum available current.

The effect is of course the same as if you connect a simple rectifier diode directly to each converter's output terminal.