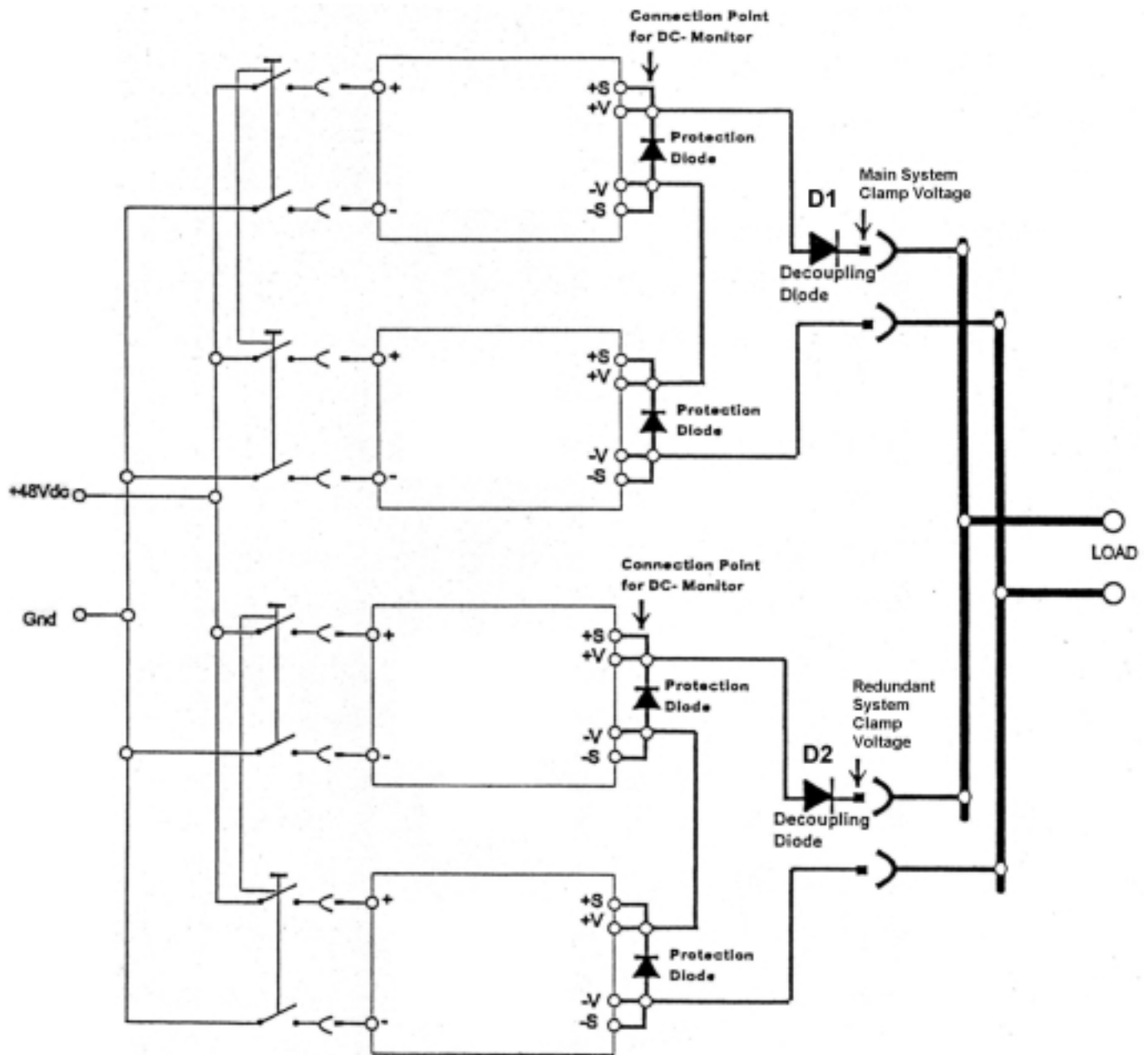




**HOT SWAP 1+1 REDUNDANT SYSTEM**

Valid for the series: SV and VT



**REMARKS ABOUT HOT SWAP REPLACEMENTS:**

1. At normal operation the main system will feed the full required power to the load.  
In case of a default within the main system, the redundant unit will uninterruptedly take over and supply the full required power to the load.
2. Make sure the redundant system is precisely pre-trimmed 0.2V below the voltage of the main system!
3. Spare systems can be preset to the required voltage offline at no load. Tolerance of each supply  $\leq \pm 50\text{mV}$ .
4. Hot swap procedure:
  - Determine the faulty unit by checking the DC output monitor signal
  - Carefully preset the output voltage of your spare system
  - Turn off local input switch and replace the faulty unit
  - Turn on local input switch